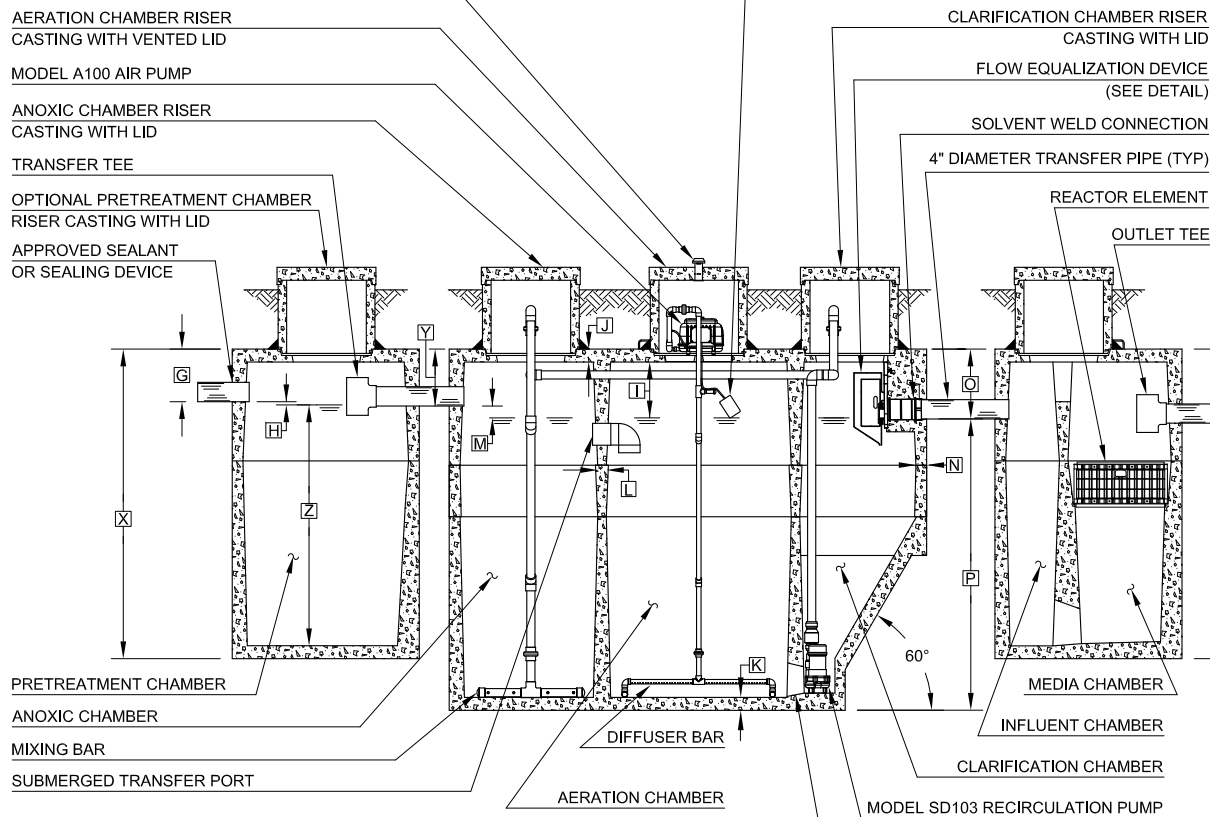
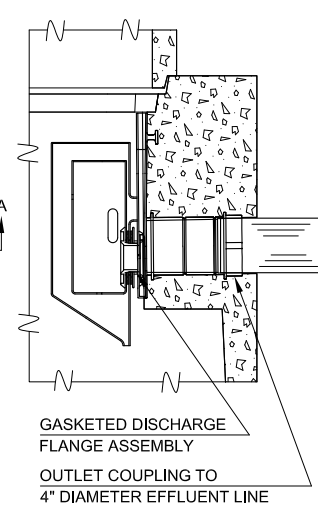


NORWECO FRESH AIR VENT ASSEMBLY
PLAN VIEW

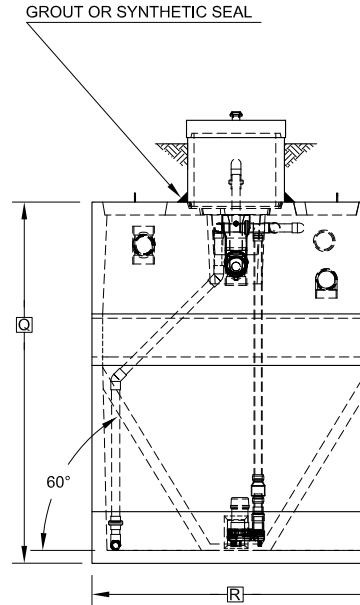


SECTION A-A

NOTE: PRETREATMENT CHAMBER MINIMUM REQUIREMENTS SHALL BE: 500 GALLONS CAPACITY, 7.5 GALLONS PER INCH OF LIQUID LEVEL AND 9 INCHES OF FREEBOARD.



FLOW EQUALIZATION DEVICE DETAIL



OUTLET END VIEW

NOTE: TOTAL SYSTEM CAPACITY: 2,350 GALLONS
 RATED CAPACITY: 750/800 GALLONS PER DAY

- GENERAL NOTES:**
- FALL THROUGH THE HYDRO-KINETIC® PLANT FROM INLET INVERT TO OUTLET INVERT IS FIVE INCHES. INLET INVERT IS TWELVE INCHES BELOW TANK TOP.
 - ON DEEPER INSTALLATIONS, PRECAST RISERS MUST BE USED TO EXTEND CASTINGS TO GRADE. INSPECTION COVERS MUST BE DEVELOPED TO WITHIN TWELVE INCHES OF GRADE.
 - TANK REINFORCED PER ACI STD. 318.
 - REMOVABLE COVERS ON RISERS WEIGH IN EXCESS OF SEVENTY-FIVE POUNDS EACH TO PREVENT UNAUTHORIZED ACCESS.
 - CONTACT THE LOCAL, LICENSED HYDRO-KINETIC® DISTRIBUTOR FOR ELECTRICAL REQUIREMENTS.

PROJECT ENGINEER'S APPROVAL:
 I (WE) HEREBY CERTIFY THAT THIS DRAWING HAS BEEN CHECKED AND IS APPROVED FOR USE IN CONFORMITY WITH THE CONTRACT DOCUMENTS.

DATE: _____
 NAME: _____

CONTRACTOR'S CERTIFICATION:
 I (WE) HEREBY CERTIFY THAT THIS DRAWING HAS BEEN CHECKED AND IS APPROVED FOR USE IN CONFORMITY WITH THE CONTRACT DOCUMENTS.

DATE: _____
 NAME: _____

CRITICAL DIMENSIONS

A	1'-0"	N	0'-2 1/2"
B	2'-9"	O	1'-4"
C	2'-8"	P	5'-8"
D	3'-7"	Q	7'-0"
E	2'-3"	R	5'-6"
F	9'-3"	S	1'-5"
G	1'-0"	T	4'-7"
H	0'-1"	U	3'-7 1/2"
I	1'-1"	V	
J	0'-3"	W	
K	0'-3"	X	
L	0'-2"	Y	1'-1"
M	0'-3"	Z	

U.S. AND FOREIGN PATENTS PENDING		REVISIONS	RECORD
		7-18-14	A
	HYDRO-KINETIC® MODEL 800 FEU WASTEWATER TREATMENT SYSTEM	APPROVED BY	SSS
		DATE	JMM
		SCALE	9-18-13
			NTS
© MMXIII	<small>THIS DRAWING IS THE PROPERTY OF NORWECO. IT IS TO BE USED ONLY FOR THE PROJECT AND SITE SPECIFICALLY IDENTIFIED HEREON. IT IS NOT TO BE REPRODUCED OR TRANSMITTED IN ANY FORM OR BY ANY MEANS, WITHOUT THE WRITTEN PERMISSION OF NORWECO.</small>	DRAWING NO.	PC-5-1026