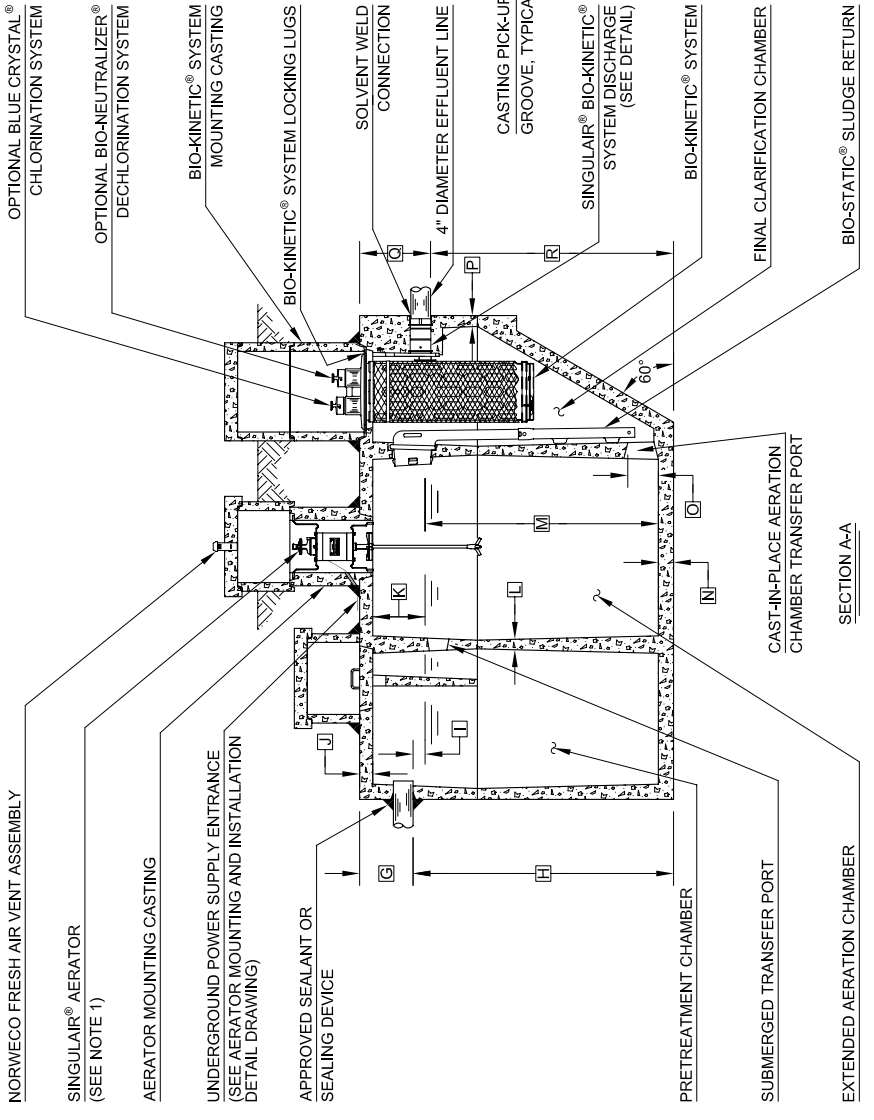
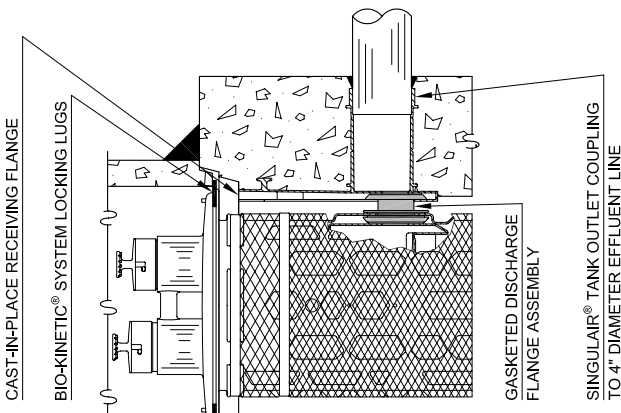


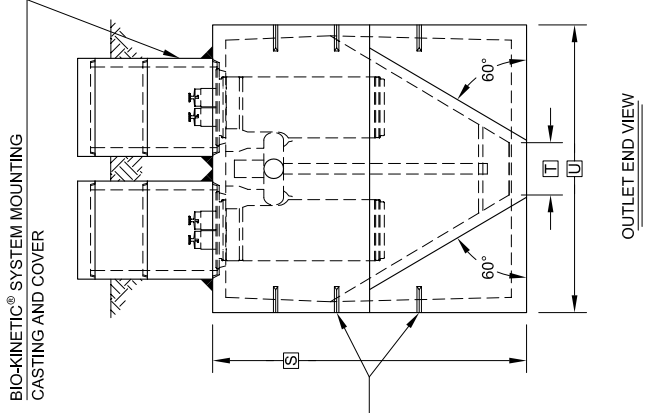
PLAN VIEW



SECTION A-A



BIO-KINETIC® SYSTEM DISCHARGE DETAIL



NOTE: TOTAL SYSTEM CAPACITY: 1,600 GALLONS
 RATED CAPACITY: 750 GALLONS PER DAY

GENERAL NOTES:

- ① SINGULAIR® AERATOR, AS TESTED AND ACCEPTED BY NSF, OPERATING 60 MINUTES ON / 60 MINUTES OFF.
- ② FALL THROUGH SINGULAIR® PLANT FROM INLET INVERT TO OUTLET INVERT IS FOUR INCHES. INLET INVERT IS TWELVE INCHES BELOW TANK TOP.
- ③ ON DEEPER INSTALLATIONS, PRECAST RISERS MUST BE USED TO EXTEND AERATOR MOUNTING CASTING AND BIO-KINETIC® SYSTEM MOUNTING CASTING TO GRADE. INSPECTION COVER ON PRETREATMENT CHAMBER MUST BE DEVELOPED TO WITHIN TWELVE INCHES OF GRADE.
- ④ TANK REINFORCED PER ACI STD. 318.
- ⑤ REMOVABLE COVERS ON RISERS WEIGH IN EXCESS OF SEVENTY-FIVE POUNDS EACH TO PREVENT UNAUTHORIZED ACCESS.
- ⑥ CONTACT THE LOCAL LICENSED SINGULAIR® DISTRIBUTOR FOR ELECTRICAL REQUIREMENTS.

PROJECT ENGINEER'S APPROVAL:
 I (WE) HEREBY CERTIFY THAT THIS DRAWING HAS BEEN CHECKED AND IS APPROVED FOR USE IN CONFORMITY WITH THE CONTRACT DOCUMENTS.

DATE: _____
 NAME: _____
 CONTRACTOR'S CERTIFICATION:
 I (WE) HEREBY CERTIFY THAT THIS DRAWING HAS BEEN CHECKED AND IS APPROVED FOR USE IN CONFORMITY WITH THE CONTRACT DOCUMENTS.

DATE: _____
 NAME: _____

CRITICAL DIMENSIONS

A	1'-0"	N	0'-3"
B	2'-9"	O	0'-6"
C	2'-8"	P	0'-2 1/2"
D	3'-7"	Q	1'-4"
E	2'-3"	R	5'-8"
F	9'-3"	S	7'-0"
G	1'-0"	T	1'-0"
H	6'-0"	U	5'-6"
I	0'-3"	V	
J	0'-3"	W	
K	1'-0"	X	
L	0'-2"	Y	
M	5'-6"	Z	

norweco
 U.S. AND FOREIGN PATENTS PENDING
 SINGULAIR® BIO-KINETIC® WASTEWATER TREATMENT SYSTEM MODEL NT-1-750 GPD
 NORWECO WATER SYSTEMS, INC. 10000 W. 10TH AVE. DENVER, CO 80231
 6-25-07 B
 BDS
 JMM
 2-16-06
 NTS
 PC-57-7065