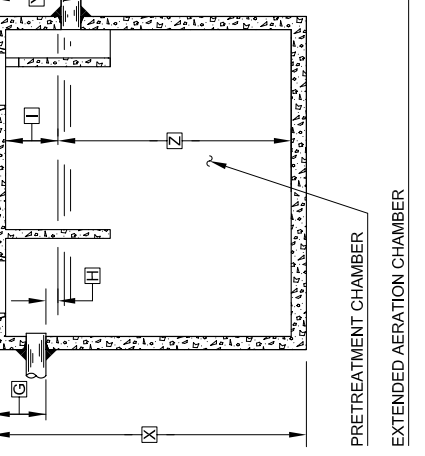
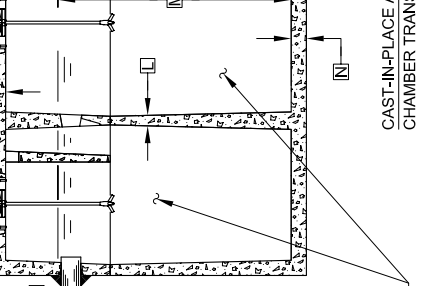
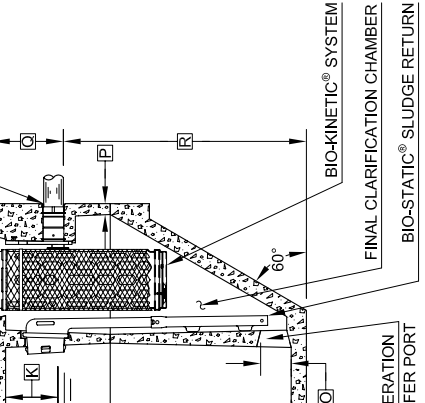
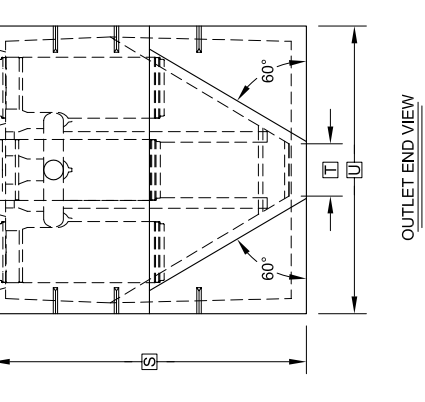
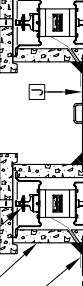
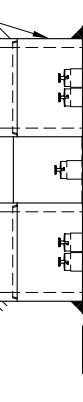
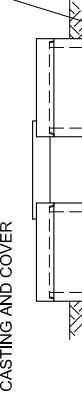
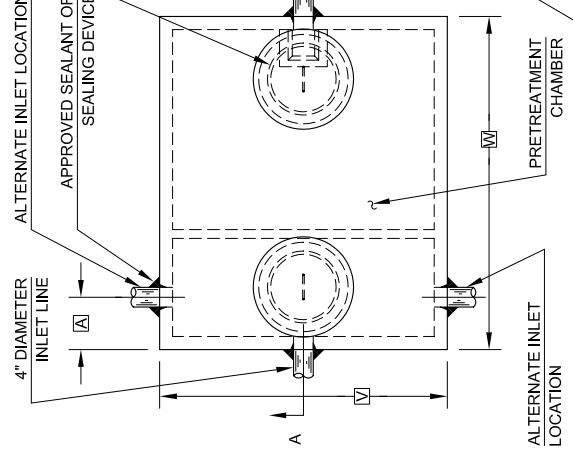
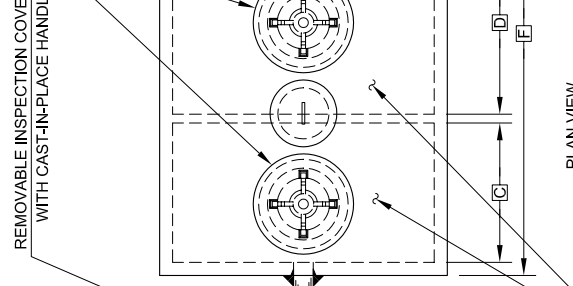
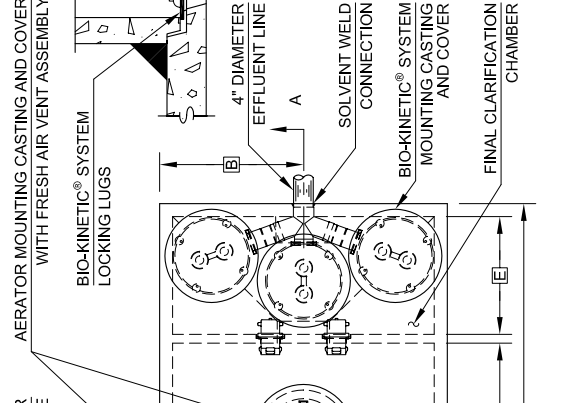
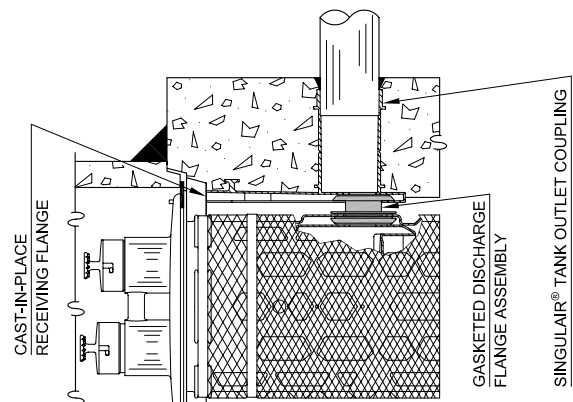


GENERAL NOTES:

- ① SINGLAIR® AERATOR, AS TESTED AND ACCEPTED BY NSF, OPERATING 60 MINUTES ON / 60 MINUTES OFF.
- ② FALL THROUGH SINGLAIR® PLANT FROM INLET INVERT TO OUTLET INVERT IS FOUR INCHES. INLET INVERT IS TWELVE INCHES BELOW TANK TOP.
- ③ ON DEEPER INSTALLATIONS, PRECAST RISERS MUST BE USED TO EXTEND AERATOR MOUNTING CASTING AND BIO-KINETIC® SYSTEM MOUNTING CASTING TO GRADE. INSPECTION COVER ON PRETREATMENT CHAMBER MUST BE DEVELOPED TO WITHIN TWELVE INCHES OF GRADE.
- ④ TANK REINFORCED PER ACI STD. 318.
- ⑤ REMOVABLE COVERS ON RISERS WEIGH IN EXCESS OF SEVENTY-FIVE POUNDS EACH TO PREVENT UNAUTHORIZED ACCESS.
- ⑥ CONTACT THE LOCAL, LICENSED SINGLAIR® DISTRIBUTOR FOR ELECTRICAL REQUIREMENTS.



NOTE: PRETREATMENT CHAMBER MINIMUM REQUIREMENTS SHALL BE: 1,500 GALLONS CAPACITY, 22 GALLONS PER INCH OF LIQUID LEVEL AND 12 INCHES OF FREEBOARD.

NOTE: SOME CRITICAL DIMENSIONS ARE INTENTIONALLY LEFT BLANK TO BE FILLED IN PER INDIVIDUAL JOB SITE SPECIFICATIONS.

NOTE: TOTAL SYSTEM CAPACITY: 3,400 GALLONS
RATED CAPACITY: 1,500 GALLONS PER DAY

SECTION A-A

PROJECT ENGINEER'S APPROVAL:
I (WE) HEREBY CERTIFY THAT THIS DRAWING HAS BEEN CHECKED AND IS APPROVED FOR USE IN CONFORMITY WITH THE CONTRACT DOCUMENTS.

DATE: _____
NAME: _____

CONTRACTOR'S CERTIFICATION:
I (WE) HEREBY CERTIFY THAT THIS DRAWING HAS BEEN CHECKED AND IS APPROVED FOR USE IN CONFORMITY WITH THE CONTRACT DOCUMENTS.

DATE: _____
NAME: _____

| CRITICAL DIMENSIONS | |
|---------------------|-----------|
| A | 1'-0" |
| B | 2'-9" |
| C | 2'-8" |
| D | 3'-7" |
| E | 2'-3" |
| F | 9'-3" |
| G | 1'-0" |
| H | 0'-3" |
| I | 1'-0" |
| J | 0'-3" |
| K | 1'-0" |
| L | 0'-2" |
| M | 6'-6" |
| N | 0'-3" |
| O | 0'-6" |
| P | 0'-2 1/2" |
| Q | 1'-4" |
| R | 6'-8" |
| S | 8'-0" |
| T | 1'-0" |
| U | 5'-6" |
| V | |
| W | |
| X | |
| Y | 1'-8" |
| Z | |

U.S. AND FOREIGN PATENTS PENDING
© MMXIII
norweco
SINGLAIR® BIO-KINETIC® WASTEWATER TREATMENT SYSTEM MODEL TWT-1840-6PD
THE INFORMATION CONTAINED HEREIN IS THE PROPERTY OF NORWECO. IT IS TO BE USED ONLY FOR THE PROJECT AND SITE SPECIFICALLY IDENTIFIED HEREIN.
6-25-07
BDS
JMM
2-16-06
NTS
PC-5-7069