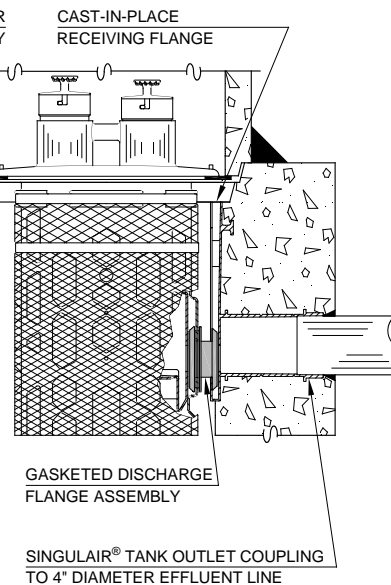
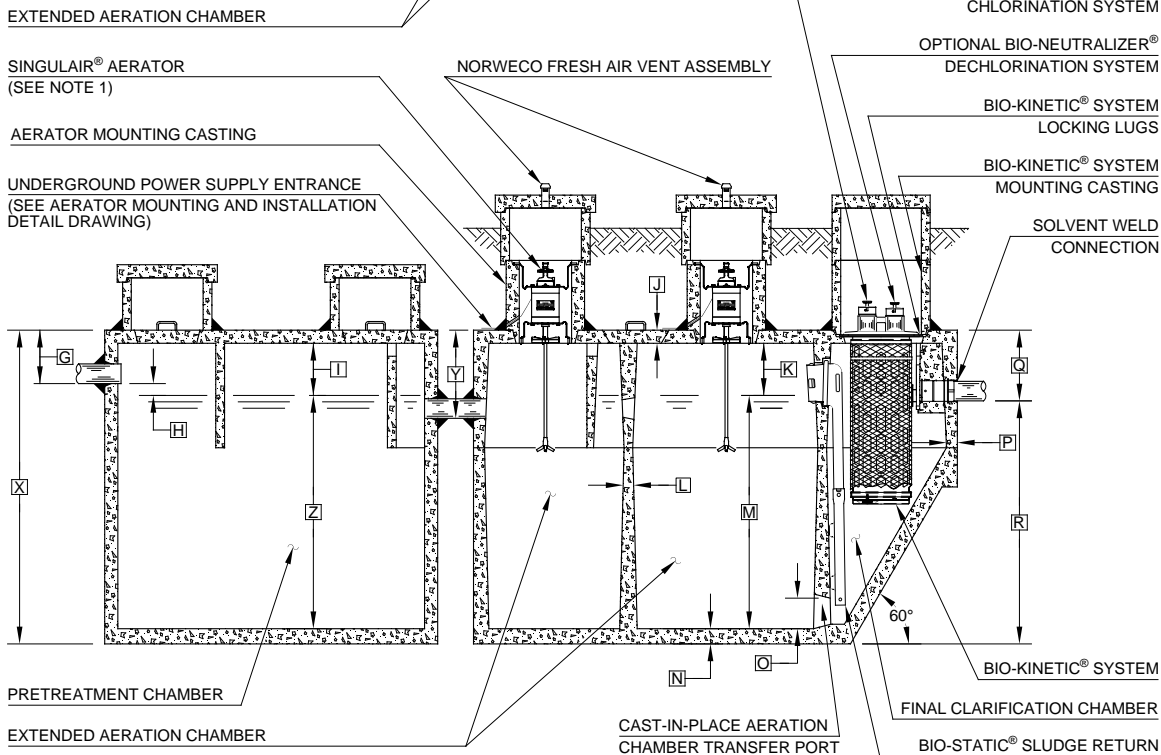


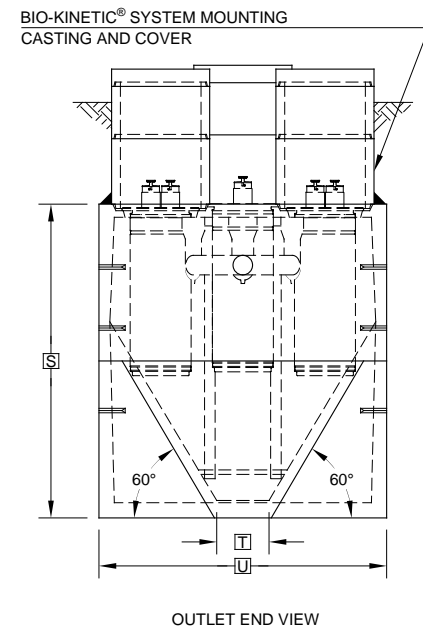
PLAN VIEW



BIO-KINETIC SYSTEM DISCHARGE DETAIL



SECTION A-A



OUTLET END VIEW

**GENERAL NOTES:**

- ① SINGULAIR® AERATOR, AS TESTED AND ACCEPTED BY NSF, OPERATING 60 MINUTES ON / 60 MINUTES OFF.
- ② FALL THROUGH SINGULAIR® PLANT FROM INLET INVERT TO OUTLET INVERT IS FOUR INCHES. INLET INVERT IS TWELVE INCHES BELOW TANK TOP.
- ③ ON DEEPER INSTALLATIONS, PRECAST RISERS MUST BE USED TO EXTEND AERATOR MOUNTING CASTING AND BIO-KINETIC® SYSTEM MOUNTING CASTING TO GRADE. INSPECTION COVER ON PRETREATMENT CHAMBER MUST BE DEVELOPED TO WITHIN TWELVE INCHES OF GRADE.
- ④ TANK REINFORCED PER ACI STD. 318.
- ⑤ REMOVABLE COVERS ON RISERS WEIGH IN EXCESS OF SEVENTY-FIVE POUNDS EACH TO PREVENT UNAUTHORIZED ACCESS.
- ⑥ CONTACT THE LOCAL, LICENSED SINGULAIR® DISTRIBUTOR FOR ELECTRICAL REQUIREMENTS.

PROJECT ENGINEER'S APPROVAL:  
I (WE) HEREBY CERTIFY THAT THIS DRAWING HAS BEEN CHECKED AND IS APPROVED FOR USE IN CONFORMITY WITH THE CONTRACT DOCUMENTS.

DATE: \_\_\_\_\_  
NAME: \_\_\_\_\_

CONTRACTOR'S CERTIFICATION:  
I (WE) HEREBY CERTIFY THAT THIS DRAWING HAS BEEN CHECKED AND IS APPROVED FOR USE IN CONFORMITY WITH THE CONTRACT DOCUMENTS.

DATE: \_\_\_\_\_  
NAME: \_\_\_\_\_

**CRITICAL DIMENSIONS**

A	1'-0"	N	0'-3"
B	2'-9"	O	0'-6"
C	2'-8"	P	0'-2 1/2"
D	3'-7"	Q	1'-4"
E	2'-3"	R	5'-8"
F	9'-3"	S	7'-0"
G	1'-0"	T	1'-0"
H	0'-3"	U	5'-6"
I	1'-0"	V	
J	0'-3"	W	
K	1'-0"	X	
L	0'-2"	Y	1'-8"
M	5'-6"	Z	

NOTE: PRETREATMENT CHAMBER MINIMUM REQUIREMENTS SHALL BE: 1,250 GALLONS CAPACITY, 16 GALLONS PER INCH OF LIQUID LEVEL AND 12 INCHES OF FREEBOARD.

NOTE: SOME CRITICAL DIMENSIONS ARE INTENTIONALLY LEFT BLANK TO BE FILLED IN PER INDIVIDUAL JOB SITE SPECIFICATIONS.

NOTE: TOTAL SYSTEM CAPACITY: 2,850 GALLONS  
RATED CAPACITY: 1,250 GALLONS PER DAY

U.S. AND FOREIGN PATENTS PENDING		REVISED	6-25-07	REVISION	B
		DESIGNED BY	JMM	DATE	2-16-06
© MMVII	<small>THIS DRAWING IS THE PROPERTY OF NORWECO. IT IS TO BE USED ONLY FOR THE PROJECT AND SITE SPECIFICALLY IDENTIFIED HEREON. NO PARTS OF THIS DRAWING ARE TO BE REPRODUCED OR TRANSMITTED IN ANY FORM OR BY ANY MEANS WITHOUT WRITTEN PERMISSION FROM NORWECO.</small>	DRAWING NO.	PC-5-7068		